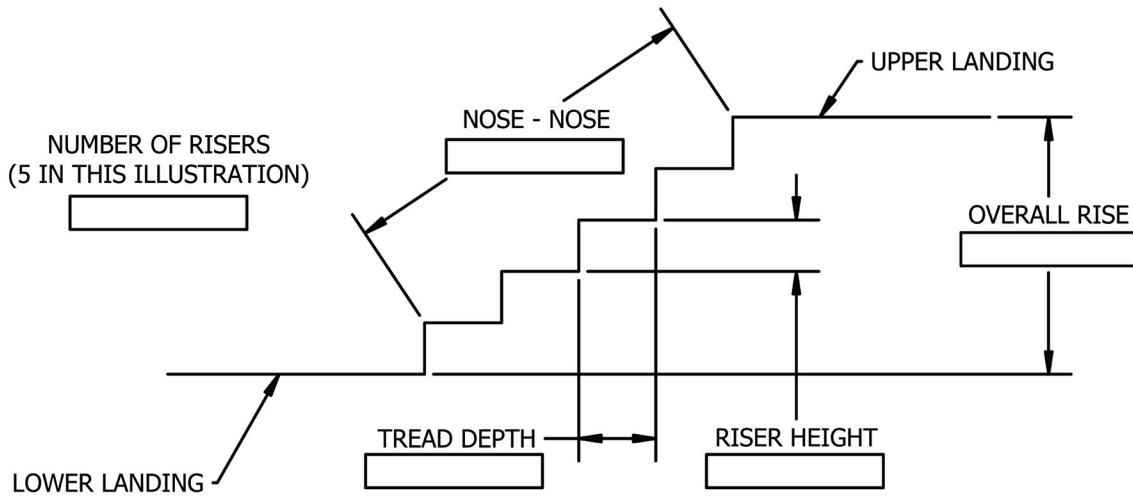


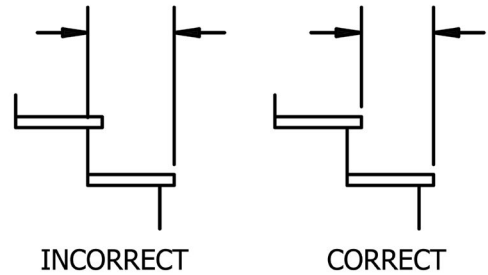
STAIR AND RAMP MEASURING SHEET

* It is recommended that a professional hand rail installer be involved in planning and installation of custom fabricated handrails.



STAIR INFORMATION

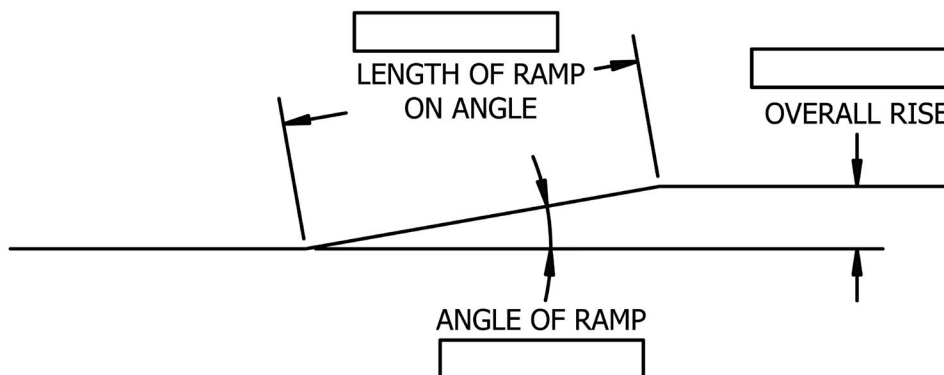
- 1) Make a complete sketch of the stairs with correct number of tread and risers.
- 2) Measure the nose to nose and overall rise of the stairs. These are the most critical dimensions for Wagner.
- 3) Measure all of the other dimensions if possible, including individual tread depth and riser height for each step. Any additional measurements are helpful.



INCORRECT

CORRECT

CORRECT MEASURING OF TREAD



RAMP INFORMATION

- 1) Make a complete sketch of the ramp.
- 2) Measure the length of ramp on angle and overall rise of ramp. These are the most critical dimensions for Wagner.
- 3) Measure angle of ramp if possible. Any additional measurements are helpful.