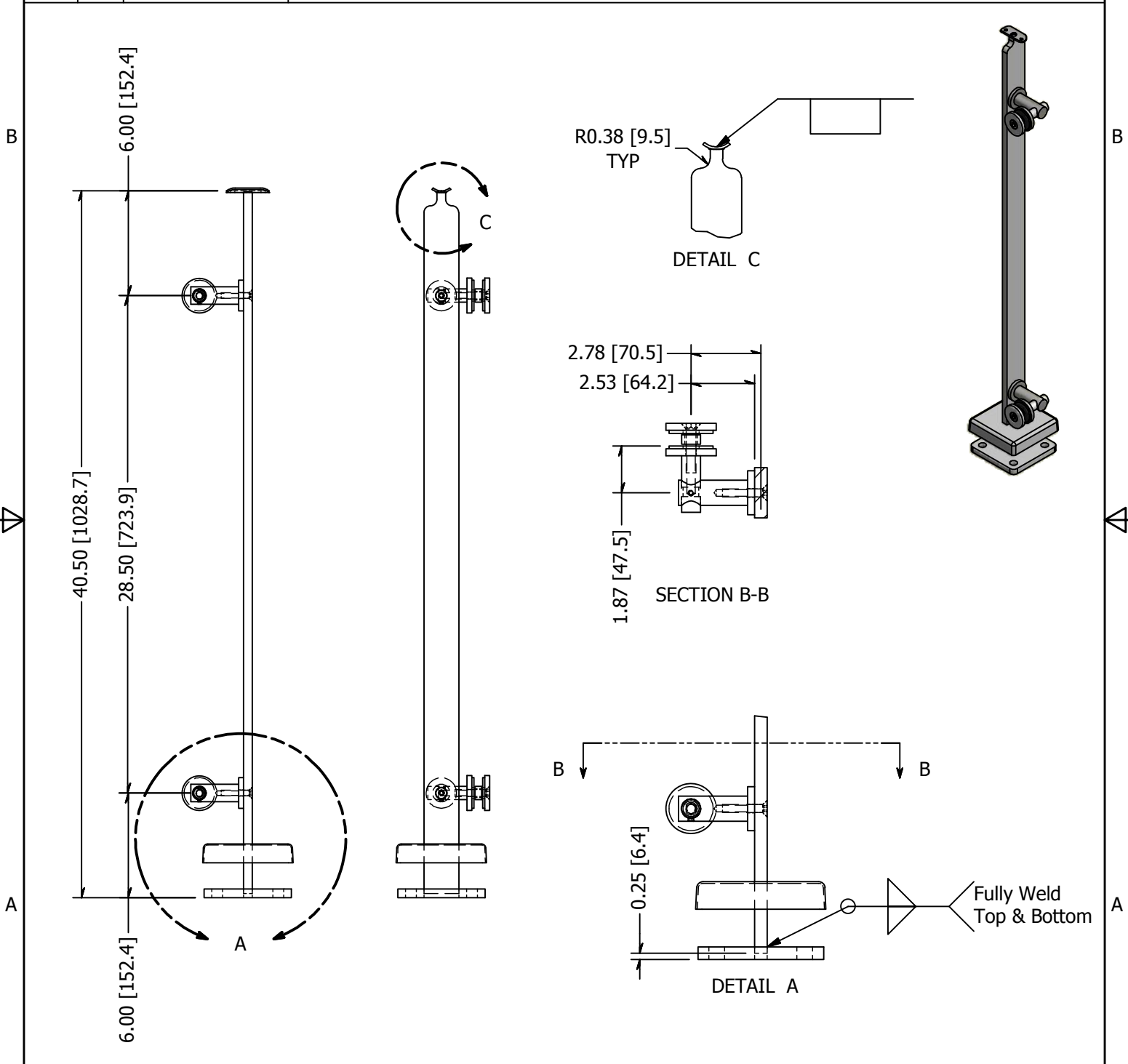




PARTS LIST

ITEM	QTY	PART NUMBER	DESCRIPTION
1	1	LG32542ESMA	End Post, Stainless Steel, 2.00 Inch x 0.50 Inch, 42 High, Brushed Satin Finish, Grade 316, Surface Mount, Post Assembly
2	2	LXTB51-1	Point Fitting, Stainless Steel, 51 mm Head, 1 Point, Tubular Body, Brushed Satin Finish, Grade 316, 0.50 Inch Glass
3	2	FAH3NM08C-0045	Screw, Stainless Steel, M8-1.25 x 45mm, Socket Flat Head Machine Screw, A4-70



<p>TOLERANCE</p> <p>X.X..... = ± .060</p> <p>X.XX..... = ± .030</p> <p>X.XXX..... = ± .010</p> <p>XX°..... = ± 1°</p> <p>UNLESS OTHERWISE NOTED</p>	<p>MATERIAL:</p> <p>316 Stainless</p>	<p>DESCRIPTION:</p> <p>End Post, Stainless Steel, 2.00 Inch x 0.50 Inch, 42 High, Brushed Satin Finish, Grade 316, Surface Mount, 2-Point Fitting</p>	
	<p>FINISH:</p> <p>Satin Brushed</p>	<p>DATE:</p> <p>4/20/2015</p>	<p>REV:</p> <p>1</p>
	<p>WEIGHT:</p> <p>18.67 lbmass</p>	<p>DRAWN BY:</p> <p>T. Kolbach</p>	<p>WAGNER</p> <p>COLLABORATIVE METAL WORKS</p>
	<p>ITEM NUMBER:</p> <p>LG32542CESM.4</p>		

