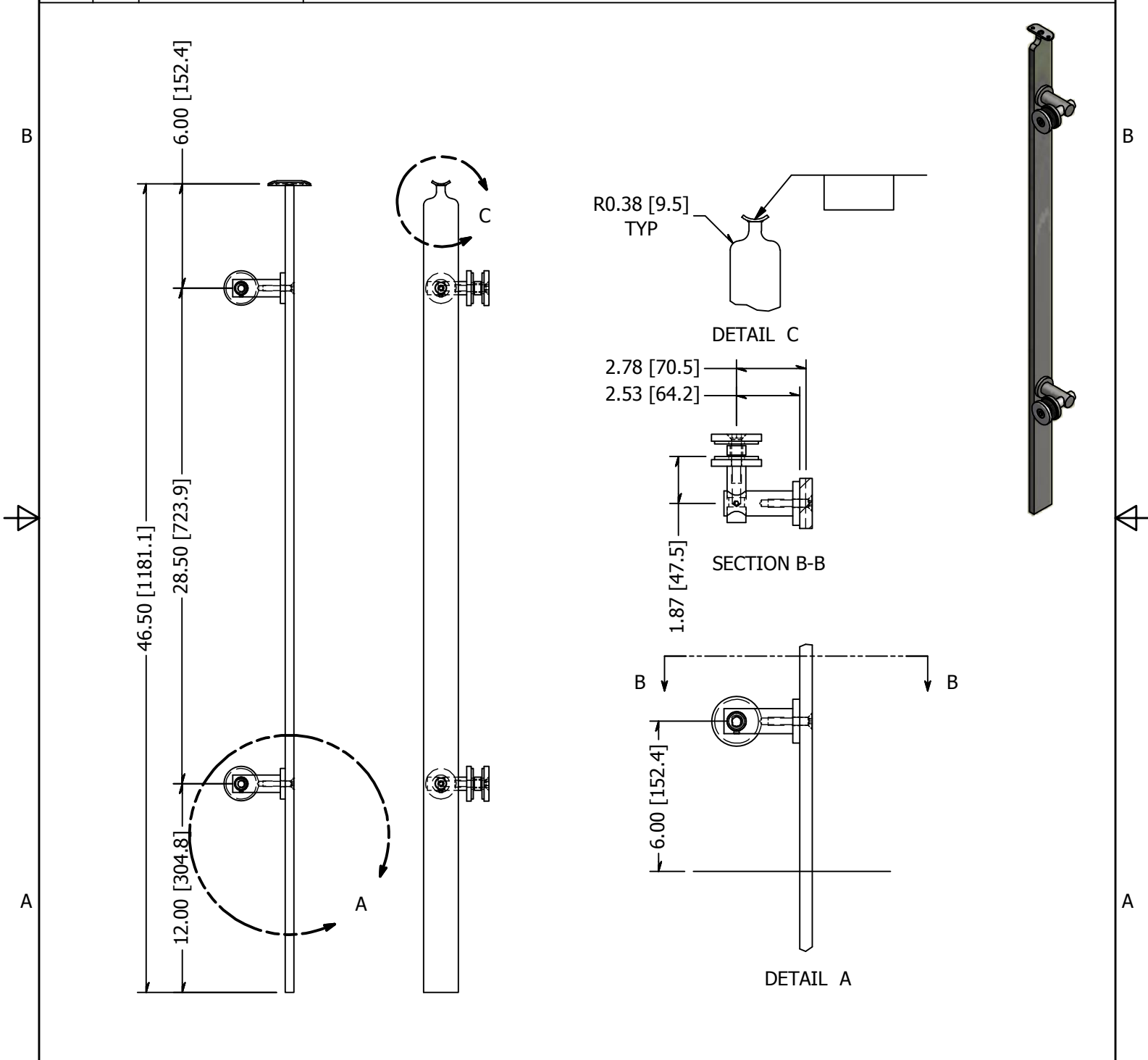




PARTS LIST

| ITEM | QTY | PART NUMBER | DESCRIPTION |
|------|-----|----------------|--|
| 1 | 1 | LG32542EEMA | End Post, Stainless Steel, 2.00 Inch x 0.50 Inch, 42 High, Brushed Satin Finish, Grade 316, Embed Mount, Post Assembly |
| 2 | 2 | LXTB51-1 | Point Fitting, Stainless Steel, 51 mm Head, 1 Point, Tubular Body, Brushed Satin Finish, Grade 316, 0.50 Inch Glass |
| 3 | 2 | FAH3NM08C-0045 | Screw, Stainless Steel, M8-1.25 x 45mm, Socket Flat Head Machine Screw, A4-70 |



| | | | |
|--|--|---|--|
| <p>TOLERANCE</p> <p>X.X..... = ± .060</p> <p>X.XX..... = ± .030</p> <p>X.XXX..... = ± .010</p> <p>XX°..... = ± 1°</p> <p>UNLESS OTHERWISE NOTED</p> | <p>MATERIAL:</p> <p>316 Stainless</p> | <p>DESCRIPTION:</p> <p>End Post, Stainless Steel, 2.00 Inch x 0.50 Inch, 42 High, Brushed Satin Finish, Grade 316, Embed Mount, 2-Point Fitting</p> | |
| | <p>FINISH:</p> <p>Satin Brushed</p> | <p>DATE:</p> <p>4/20/2015</p> | <p>REV:</p> <p>1</p> |
| | <p>WEIGHT:</p> <p>16.43 lbmass</p> | <p>DRAWN BY:</p> <p>T. Kolbach</p> | <p>WAGNER</p> <p>COLLABORATIVE METAL WORKS</p> |
| | <p>ITEM NUMBER:</p> <p>LG32542CEEM.4</p> | | |

