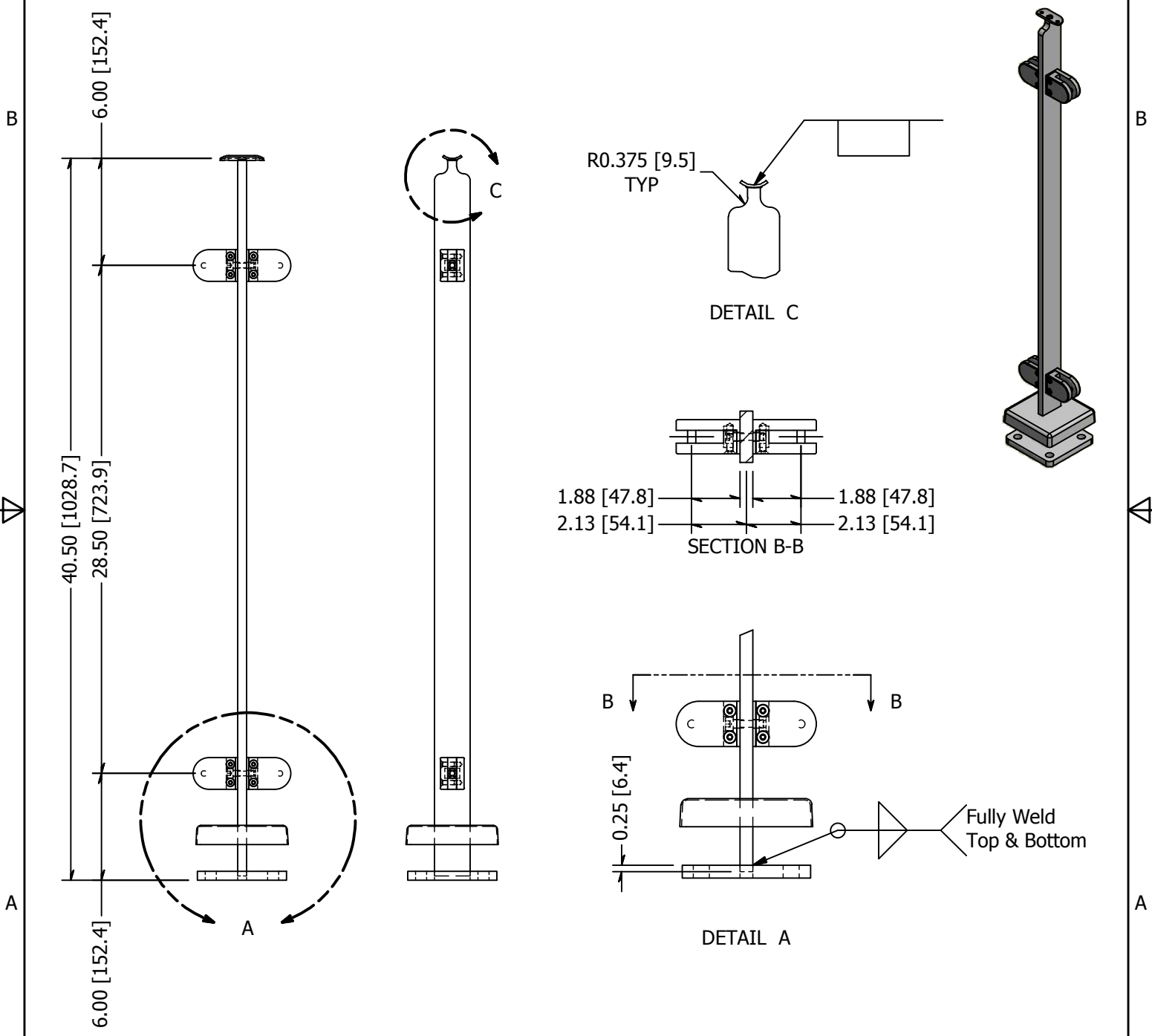




PARTS LIST

ITEM	QTY	PART NUMBER	DESCRIPTION
1	1	LG32542MSMA	Intermediate Post, Stainless Steel, 2.00 Inch x 0.50 Inch, 42 High, Brushed Satin Finish, Grade 316, Surface Mount, Post Assm
2	4	GR310F.4-R	Clip, Stainless Steel, Panel Mounting, Flat Base, Round Type, #4 Satin Finish, Type 316
3	2	SHC3NM08C-0030	Screw, Stainless Steel, M8-1.25 x 30mm, Socket Head Cap Screw, A4-70
4	2	NHF3NM08C-065	Nut, Stainless Steel, M8-1.25, Finished Hex Nut, A4



TOLERANCE X.X..... = ± .060 X.XX..... = ± .030 X.XXX..... = ± .010 XX°..... = ± 1° UNLESS OTHERWISE NOTED	MATERIAL:	316 Stainless			DESCRIPTION:	Intermediate Post, Stainless Steel, 2.00 Inch x 0.50 Inch, 42 High, Brushed Satin Finish, Grade 316, Surface Mount, Round Clip	
	FINISH:	Satin Brushed	DATE:	4/20/2015	REV:	1	 WAGNER COLLABORATIVE METAL WORKS
	WEIGHT:	20.10 lbmass	DRAWN BY:	T. Kolbach			
				ITEM NUMBER:	LG32542BMSM.4		

