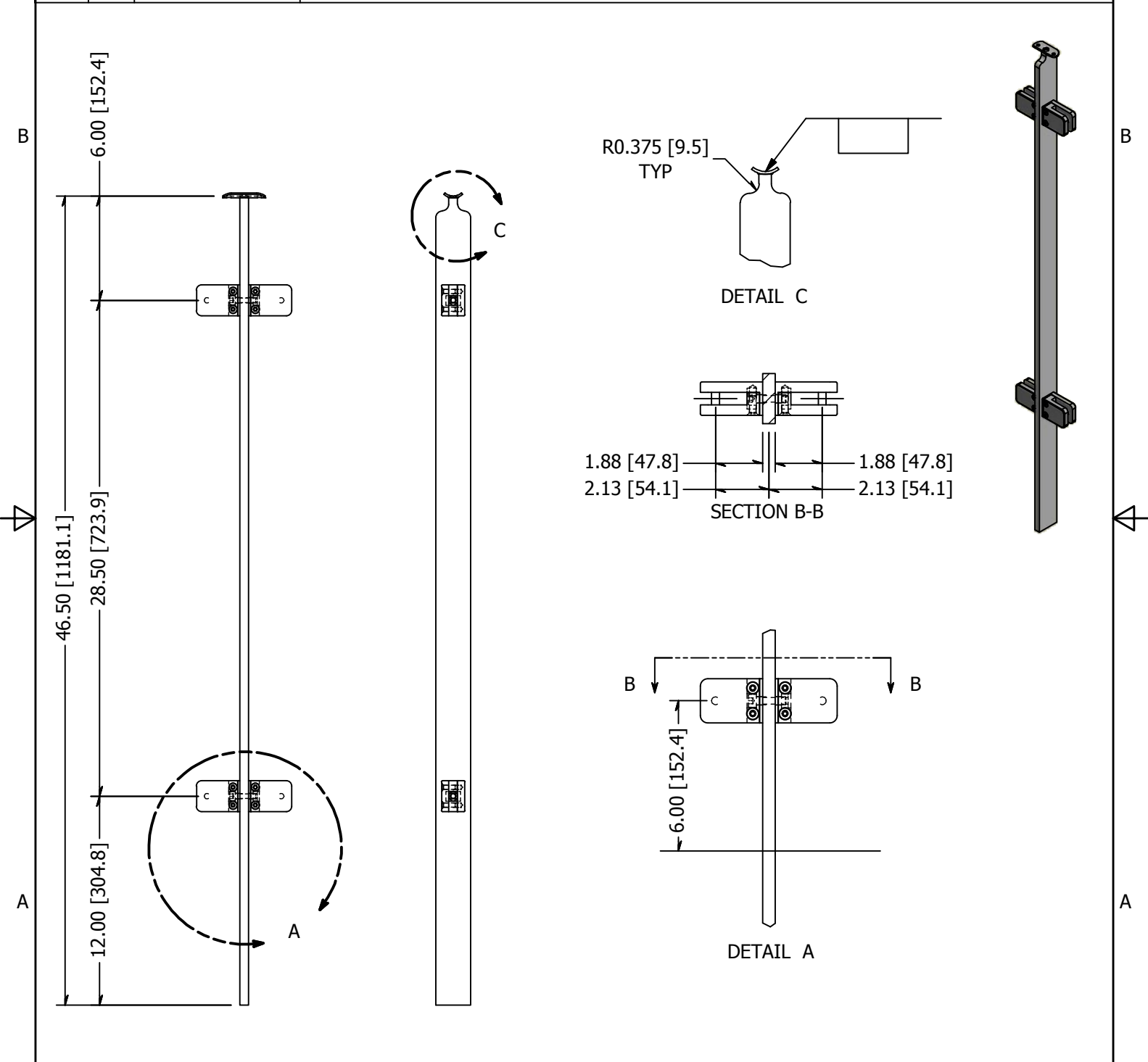




PARTS LIST

ITEM	QTY	PART NUMBER	DESCRIPTION
1	1	LG32542MEMA	Intermediate Post, Stainless Steel, 2.00 Inch x 0.50 Inch, 42 High, Brushed Satin Finish, Grade 316, Embed Mount, Post Assembly
2	4	GR310F.4	Clip, Stainless Steel, Panel Mounting, Flat Base, Square Type, #4 Satin Finish, Type 316
3	2	SHC3NM08C-0030	Screw, Stainless Steel, M8-1.25 x 30mm, Socket Head Cap Screw, A4-70
4	2	NHF3NM08C-065	Nut, Stainless Steel, M8-1.25, Finished Hex Nut, A4



<p><b>TOLERANCE</b></p> <p>X.X..... = ± .060</p> <p>X.XX..... = ± .030</p> <p>X.XXX..... = ± .010</p> <p>XX°..... = ± 1°</p> <p>UNLESS OTHERWISE NOTED</p>	MATERIAL:	DESCRIPTION:		
	316 Stainless	Intermediate Post, Stainless Steel, 2.00 Inch x 0.50 Inch, 42 High, Brushed Satin Finish, Grade 316, Embed Mount, Square Clips		
	FINISH:	DATE:	REV:	
	Satin Brushed	4/20/2015	1	
WEIGHT:	DRAWN BY:		COLLABORATIVE METAL WORKS	
18.15 lbmass	T. Kolbach			
	ITEM NUMBER:			
	LG32542MEM.4			

