

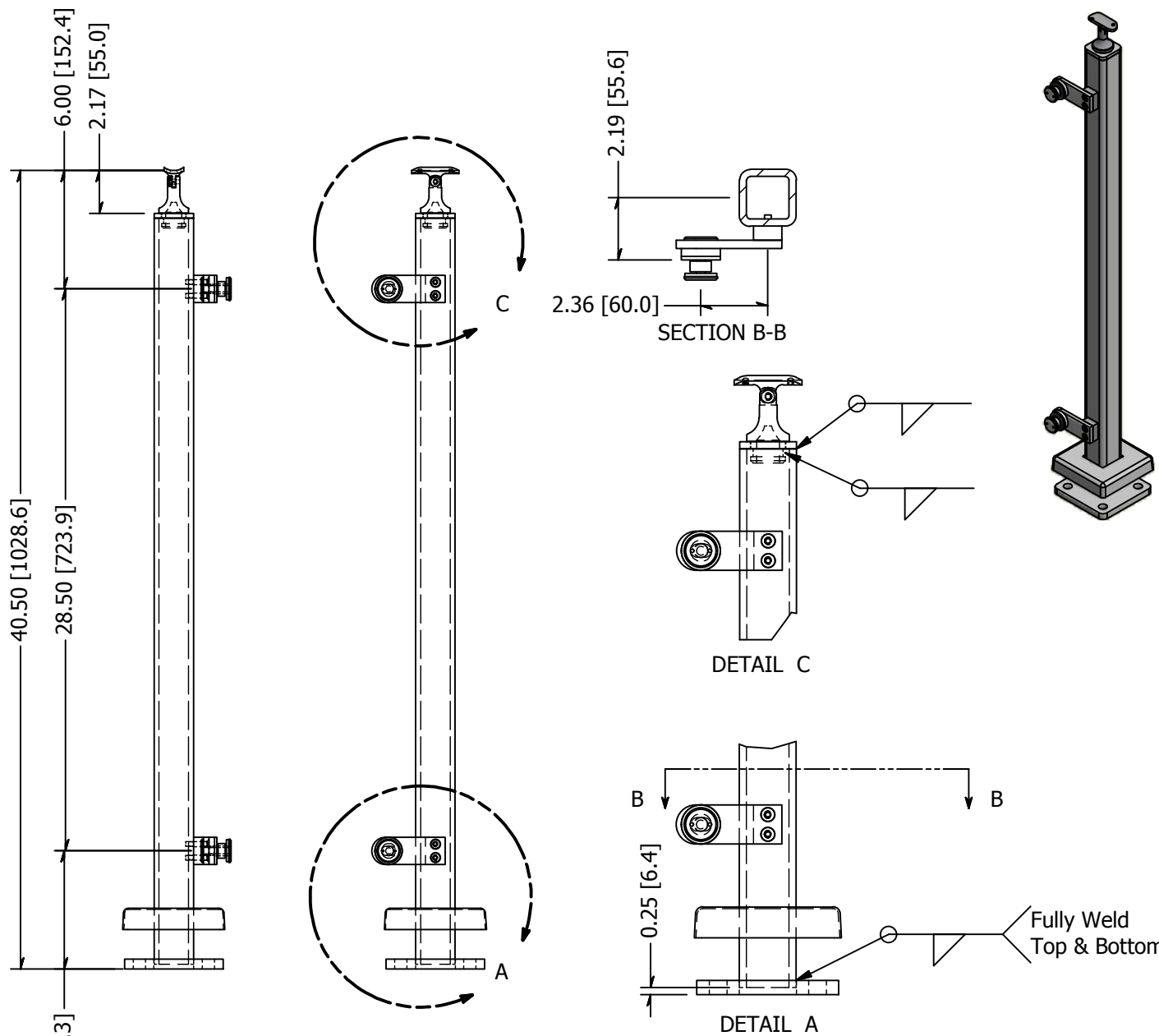


PARTS LIST

ITEM	QTY	PART NUMBER	DESCRIPTION
1	1	LG32242FSMA	Post, Stainless Steel, 2.00 Inch Square x 0.25 Inch Wall, 42 High, Brushed Satin Finish, Grade 316, Surface Mount, Post Assm
2	1	LG322SMC	Flange, Stainless Steel, Snap-On Cover For 2 Inch Square Tube, Satin Brushed Finish, Type 316
3	2	LXFP30-1	Point Fitting, Stainless Steel, 30 mm Head, 1 Point, Flat Plate, Brushed Satin Finish, Grade 316, 0.50 Inch Glass
4	2	LXFP30-FLAT	Point Fitting, Stainless Steel, Flat Adapter, Brushed Satin Finish, Grade 316, 0.50 Inch Glass
5	4	FAH3NM06C-0030	Screw, Stainless Steel, M6-1.0 x 30mm, Socket Flat Head Machine Screw, A4-70
6	1	SS507	SADDLE, SWIVEL, CAST W/ HOLES

B

B



A

A

<p>6.00 [152.3]</p> <p>TOLERANCE</p> <p>X.X..... = ± .060</p> <p>X.XX..... = ± .030</p> <p>X.XXX..... = ± .010</p> <p>XX°..... = ± 1°</p> <p>UNLESS OTHERWISE NOTED</p>	MATERIAL:	DESCRIPTION:	
	316 Stainless	End Post, Stainless Steel, 2.00 Inch Square x 0.25 Inch Wall, 42 High, Brushed Satin Finish, Grade 316, Surface Mount, Flat Plt	
	FINISH:	DATE:	REV:
	Satin Brushed	4/20/2015	1
WEIGHT:	DRAWN BY:	<p>WAGNER</p> <p>COLLABORATIVE METAL WORKS</p>	
24.25 lbmass	T. Kolbach		
		ITEM NUMBER:	
		LG32242DESM.4	

