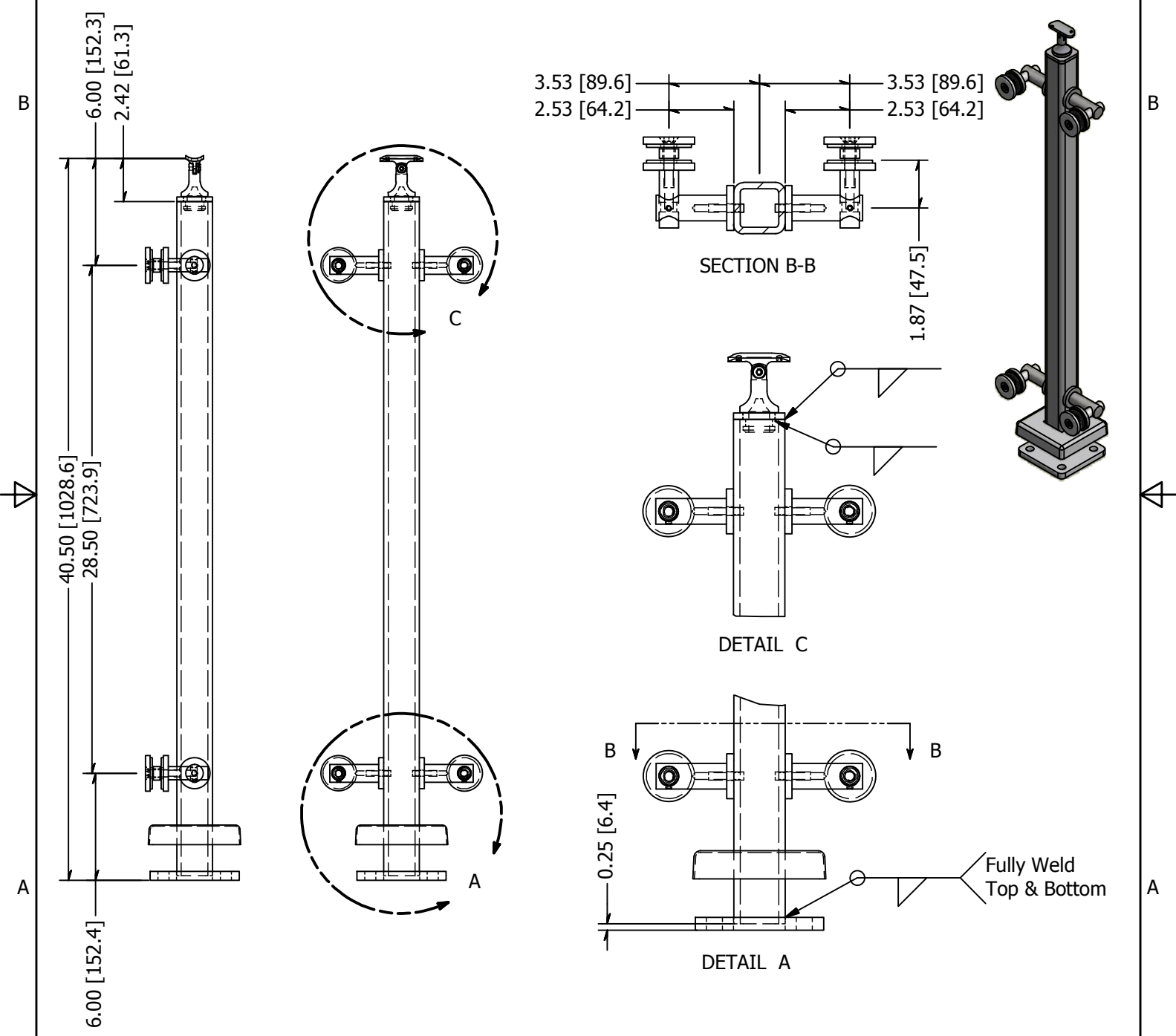




PARTS LIST

ITEM	QTY	PART NUMBER	DESCRIPTION
1	1	LG32242MSM A	Intermediate Post, Stainless Steel, 2.00 Inch Square x 0.25 Inch Wall, 42 High, Brushed Satin Finish, Grade 316, Surface Mnt, Assm
2	1	LG322SMC	Flange, Stainless Steel, Snap-On Cover For 2 Inch Square Tube, Satin Brushed Finish, Type 316
3	1	SS507	SADDLE, SWIVEL, CAST W/ HOLES
4	4	LXTB51-1	Point Fitting, Stainless Steel, 51 mm Head, 1 Point, Tubular Body, Brushed Satin Finish, Grade 316, 0.50 Inch Glass



<p><b>TOLERANCE</b></p> <p>X.X..... = ± .060</p> <p>X.XX..... = ± .030</p> <p>X.XXX..... = ± .010</p> <p>XX°..... = ± 1°</p> <p>UNLESS OTHERWISE NOTED</p>	MATERIAL:	316 Stainless			DESCRIPTION:	Intermediate Post, Stainless Steel, 2.00 Inch Square x 0.25 Inch Wall, 42 High, Brushed Satin Finish, Grade 316, Surface Mnt, 2pt		
	FINISH:	Satin Brushed			DATE:	4/20/2015	REV:	1
	WEIGHT:	28.39 lbmass			DRAWN BY:	T. Kolbach		
					ITEM NUMBER:	LG32242CMSM.4		
						<p><b>WAGNER</b></p> <p>COLLABORATIVE METAL WORKS</p>		

