

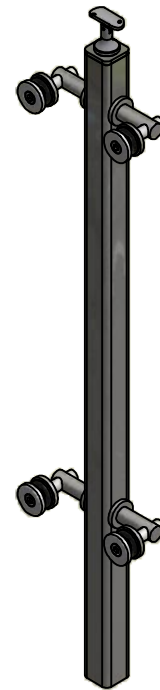
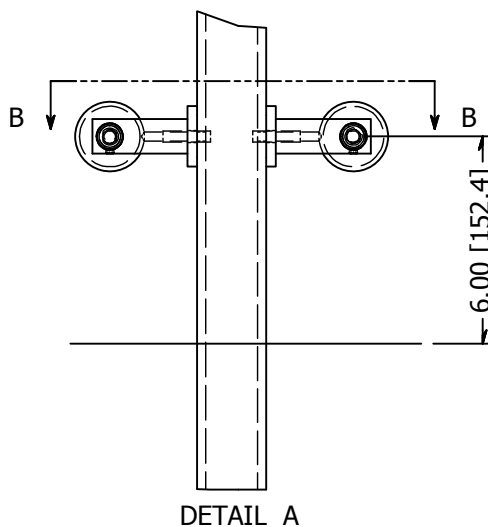
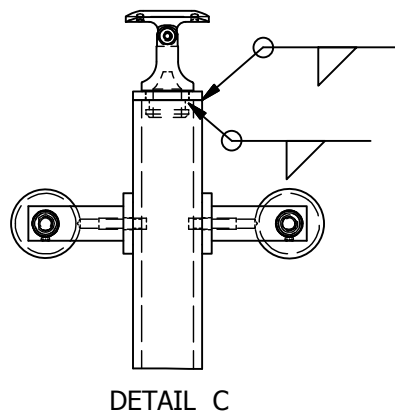
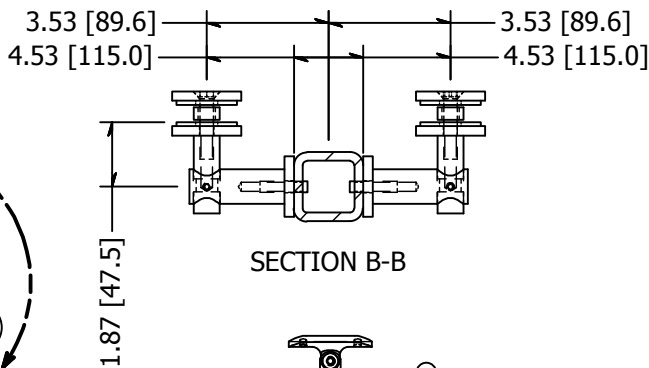
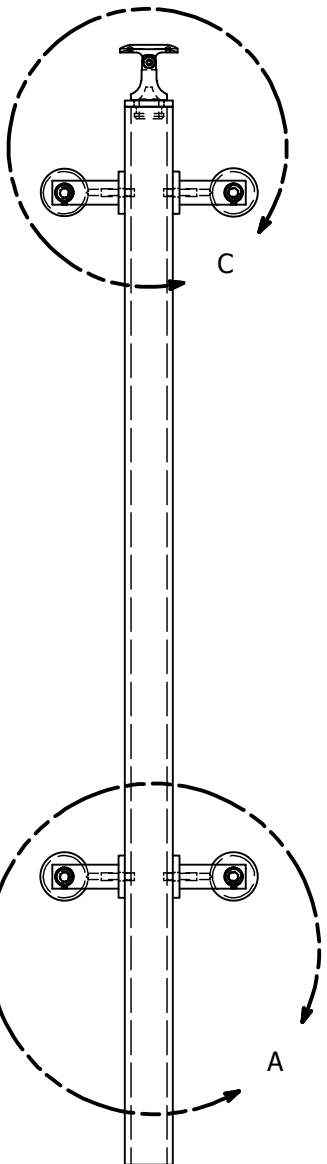
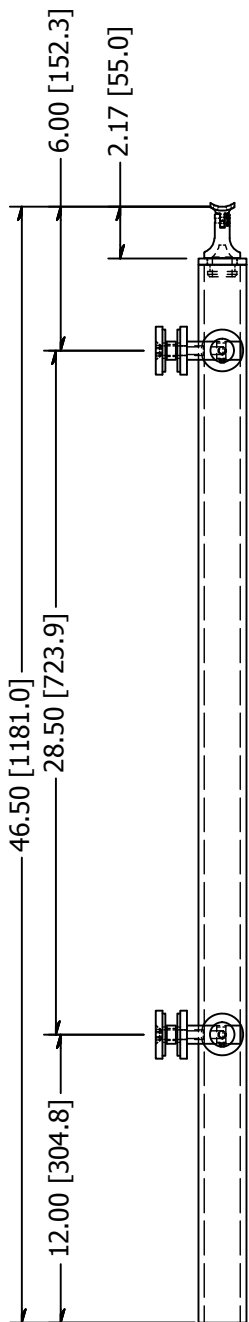


PARTS LIST

ITEM	QTY	PART NUMBER	DESCRIPTION
1	1	LG32242MEM A	Intermediate Post, Stainless Steel, 2.00 Inch Square x 0.25 Inch Wall, 42 High, Brushed Satin Finish, Grade 316, Embed Mount, Assm
2	4	LXTB51-1	Point Fitting, Stainless Steel, 51 mm Head, 1 Point, Tubular Body, Brushed Satin Finish, Grade 316, 0.50 Inch Glass
3	1	SS507	SADDLE, SWIVEL, CAST W/ HOLES

B

B



A

A

TOLERANCE X.X..... = ± .060 X.XX..... = ± .030 X.XXX..... = ± .010 XX°..... = ± 1° UNLESS OTHERWISE NOTED	MATERIAL:	316 Stainless			DESCRIPTION:	Intermediate Post, Stainless Steel, 2.00 Inch Square x 0.25 Inch Wall, 42 High, Brushed Satin Finish, Grade 316, Embed Mount, 2pt	
	FINISH:	Satin Brushed		DATE:	4/20/2015	REV:	1
	WEIGHT:	27.80 lbmass		DRAWN BY:	T. Kolbach		
					ITEM NUMBER:	LG32242CMEM.4	
						WAGNER COLLABORATIVE METAL WORKS	

