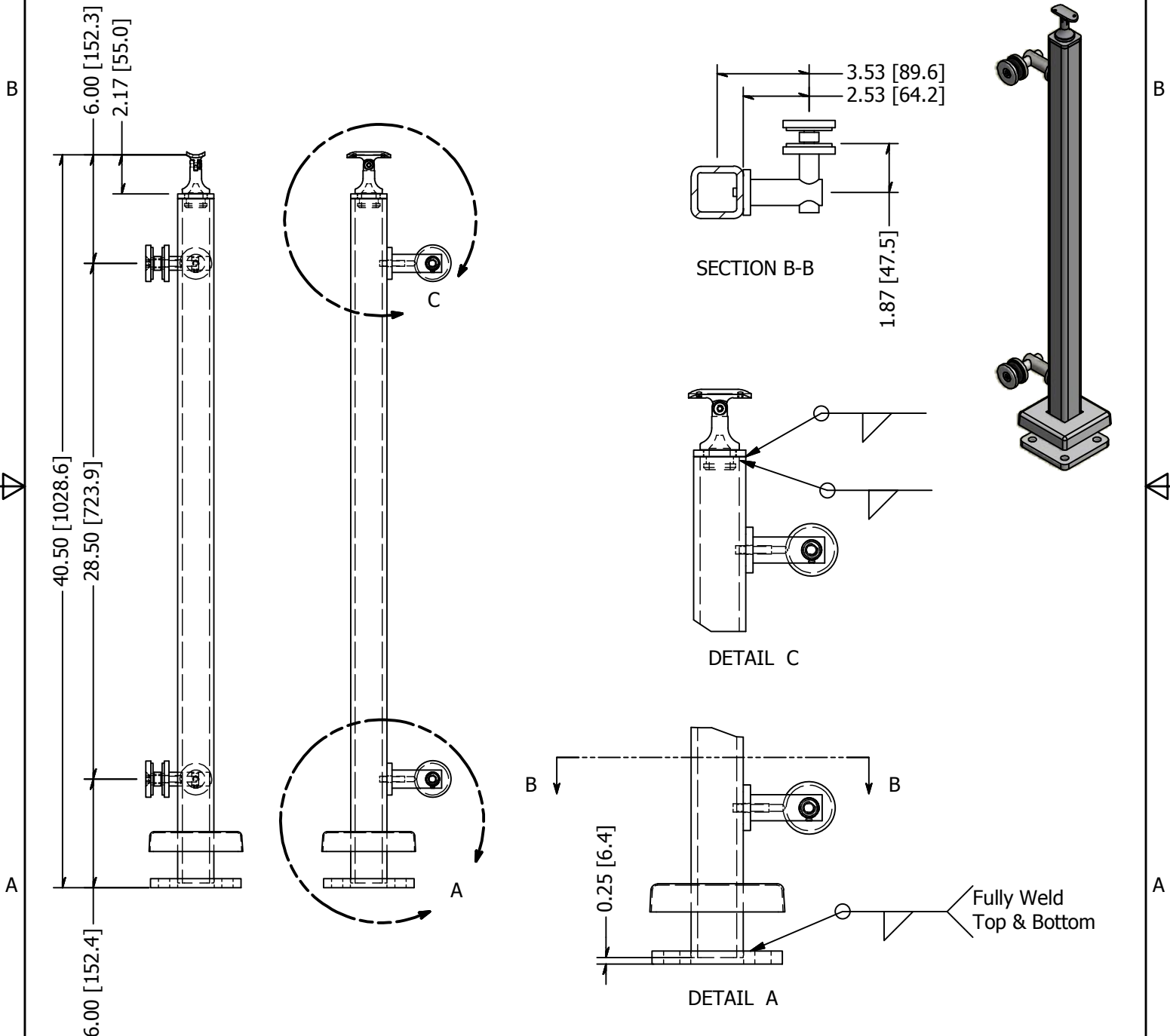




PARTS LIST

ITEM	QTY	PART NUMBER	DESCRIPTION
1	1	LG32242ESMA	End Post, Stainless Steel, 2.00 Inch Square x 0.25 Inch Wall, 42 High, Brushed Satin Finish, Grade 316, Surface Mount, Assm
2	1	LG322SMC	Flange, Stainless Steel, Snap-On Cover For 2 Inch Square Tube, Satin Brushed Finish, Type 316
3	2	LXTB51-1	Point Fitting, Stainless Steel, 51 mm Head, 1 Point, Tubular Body, Brushed Satin Finish, Grade 316, 0.50 Inch Glass
4	1	SS507	SADDLE, SWIVEL, CAST W/ HOLES



<b>TOLERANCE</b> X.X..... = ± .060 X.XX..... = ± .030 X.XXX..... = ± .010  XX°..... = ± 1°  UNLESS OTHERWISE NOTED	MATERIAL:	DESCRIPTION:	
	316 Stainless	End Post, Stainless Steel, 2.00 Inch Square x 0.25 Inch Wall, 42 High, Brushed Satin Finish, Grade 316, Surface Mount, 2-Point	
	FINISH:	DATE:	REV:
	Satin Brushed	4/20/2015	1
WEIGHT:	DRAWN BY:	ITEM NUMBER:	
25.40 lbmass	T. Kolbach	LG32242CESM.4	
		 <b>WAGNER</b> COLLABORATIVE METAL WORKS	

