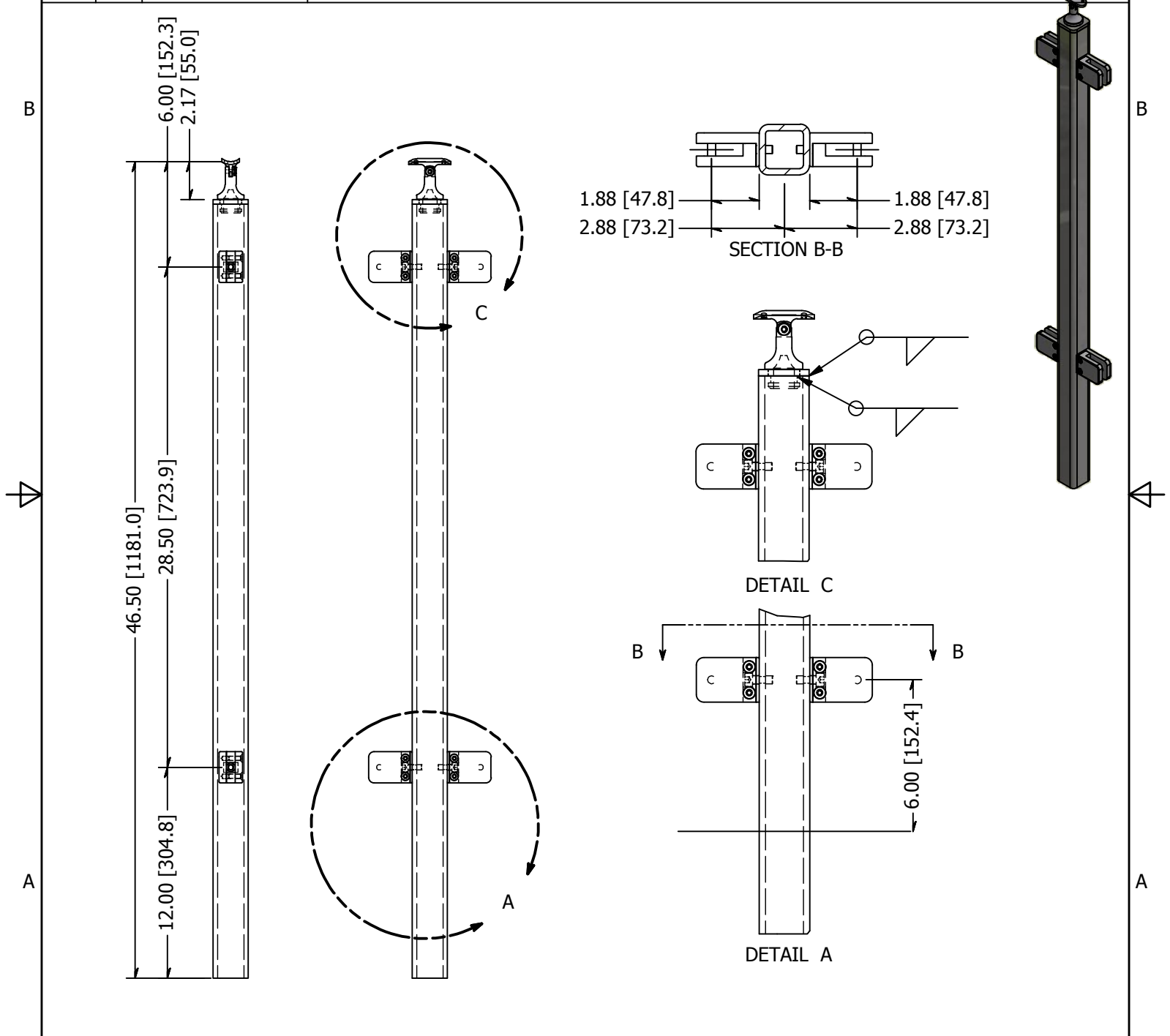




PARTS LIST

ITEM	QTY	PART NUMBER	DESCRIPTION
1	1	LG32242MEMA	Intermediate Post, Stainless Steel, 2.00 Inch Square x 0.25 Inch Wall, 42 High, Brushed Satin Finish, Grade 316, Embed Mount, Assm
2	4	GR310F.4	Clip, Stainless Steel, Panel Mounting, Flat Base, Square Type, #4 Satin Finish, Type 316
3	4	SHC3NM08C-0020	Screw, Stainless Steel, M8-1.25 x 20mm, Socket Head Cap Screw, A4-70
4	1	SS507	SADDLE, SWIVEL, CAST W/ HOLES



<p>TOLERANCE</p> <p>X.X..... = ± .060</p> <p>X.XX..... = ± .030</p> <p>X.XXX..... = ± .010</p> <p>XX°..... = ± 1°</p> <p>UNLESS OTHERWISE NOTED</p>	MATERIAL:	316 Stainless			DESCRIPTION:	Intermediate Post, Stainless Steel, 2.00 Inch Square x 0.25 Inch Wall, 42 High, Brushed Satin Finish, Grade 316, Embed Mount, Sq	
	FINISH:	Satin Brushed		DATE:	4/20/2015	REV:	1
	WEIGHT:	26.56 lbmass		DRAWN BY:	T. Kolbach		
					ITEM NUMBER:	LG32242MEM.4	
						<p>WAGNER</p> <p>COLLABORATIVE METAL WORKS</p>	

