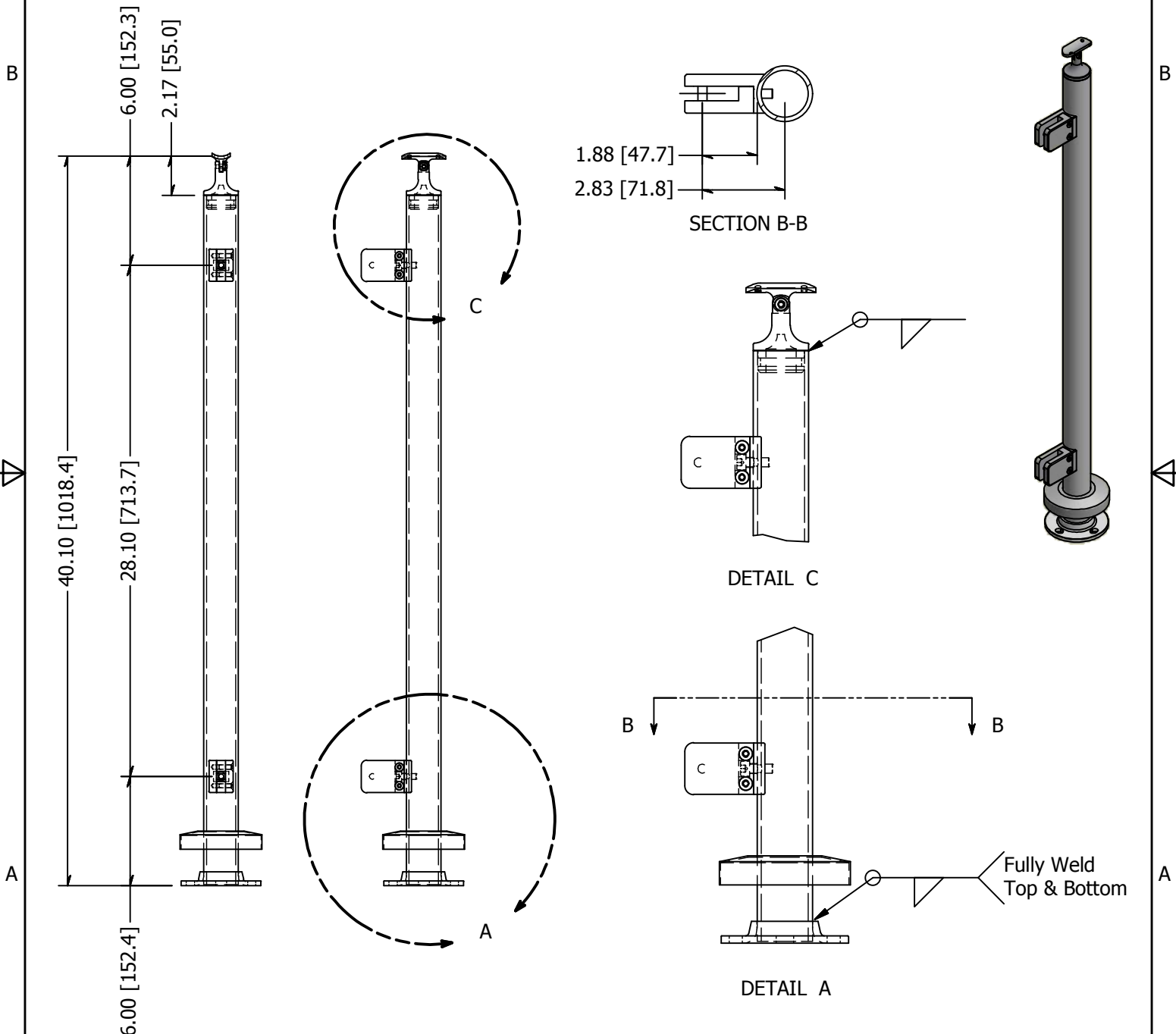




PARTS LIST

ITEM	QTY	PART NUMBER	DESCRIPTION
1	1	LG31942ESMA	End Post, Stainless Steel, 1-1/2 Inch Pipe (1.90 OD) Sch 40, 42 High, Brushed Satin Finish, Grade 316, Surface Mount, Post Assm
2	1	2077.316.4	FLANGE SS SNAPON COVER 1.90 316 #4
3	2	GR310R.4	Clip, Stainless Steel, Panel Mounting, Radius Base for 1-1/2" Pipe, Square Type, #4 Satin Finish, Type 316
4	2	SHC3NM08C-0020	Screw, Stainless Steel, M8-1.25 x 20mm, Socket Head Cap Screw, A4-70
5	1	SS507	SADDLE, SWIVEL, CAST W/ HOLES



<p>TOLERANCE</p> <p>X.X..... = ± .060</p> <p>X.XX..... = ± .030</p> <p>X.XXX..... = ± .010</p> <p>XX°..... = ± 1°</p> <p>UNLESS OTHERWISE NOTED</p>	MATERIAL:	316 Stainless			DESCRIPTION:	End Post, Stainless Steel, 1-1/2 Inch Pipe (1.90 OD) Sch 40, 42 High, Brushed Satin Finish, Grade 316, Surface Mount, Sq Clips	
	FINISH:	Satin Brushed		DATE:	4/20/2015	REV:	1
	WEIGHT:	13.32 lbmass		DRAWN BY:	T. Kolbach		
					ITEM NUMBER:	LG31942AESM.4	
						<p>WAGNER</p> <p>COLLABORATIVE METAL WORKS</p>	

