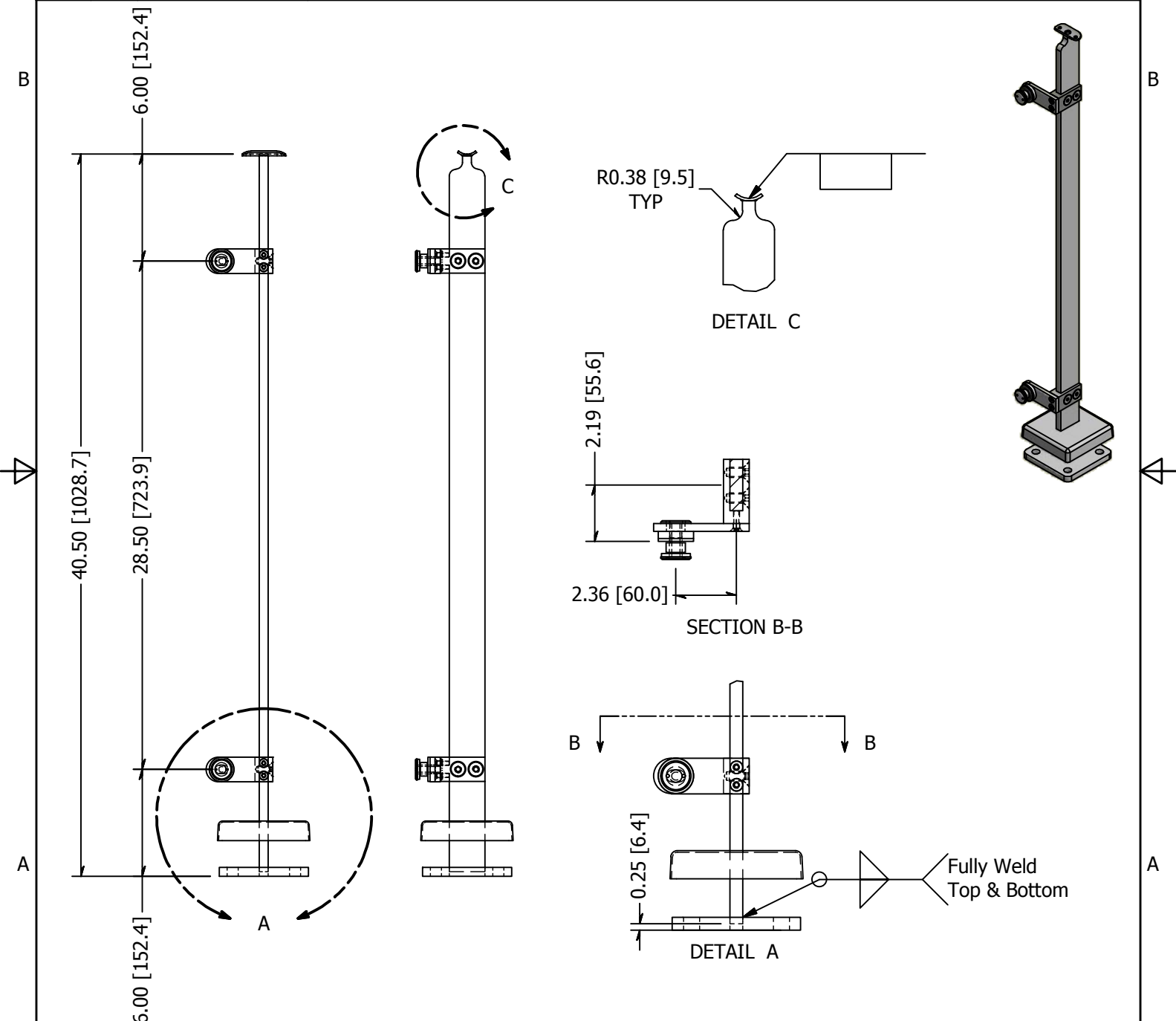




PARTS LIST

ITEM	QTY	PART NUMBER	DESCRIPTION
1	1	LG32542FSMA	Post, Stainless Steel, 2.00 Inch x 0.50 Inch, 42 High, Brushed Satin Finish, Grade 316, Surface Mount, Post Assembly
2	2	LXFP30-1	Point Fitting, Stainless Steel, 30 mm Head, 1 Point, Flat Plate, Brushed Satin Finish, Grade 316, 0.50 Inch Glass
3	2	LXFP30-BLADE	Point Fitting, Stainless Steel, Blade Adapter, Brushed Satin Finish, Grade 316, 0.50 Inch Glass
4	4	FAH3NM06C-0020	Screw, Stainless Steel, M6-1.0 x 20mm, Socket Flat Head Machine Screw, A4-70
5	4	FAH3NM10C-0020	Screw, Stainless Steel, M10-1.50 x 20mm, Socket Flat Head Machine Screw, A4-70



<p>TOLERANCE</p> <p>X.X..... = ± .060</p> <p>X.XX..... = ± .030</p> <p>X.XXX..... = ± .010</p> <p>XX°..... = ± 1°</p> <p>UNLESS OTHERWISE NOTED</p>	MATERIAL:	DESCRIPTION:		
	316 Stainless	End Post, Stainless Steel, 2.00 Inch x 0.50 Inch, 42 High, Brushed Satin Finish, Grade 316, Surface Mount, Flat Plate Fitting		
	FINISH:	DATE:	REV:	
	Satin Brushed	4/20/2015	1	
WEIGHT:	DRAWN BY:		COLLABORATIVE METAL WORKS	
18.31 lbmass	T. Kolbach		LG32542DESM.4	

