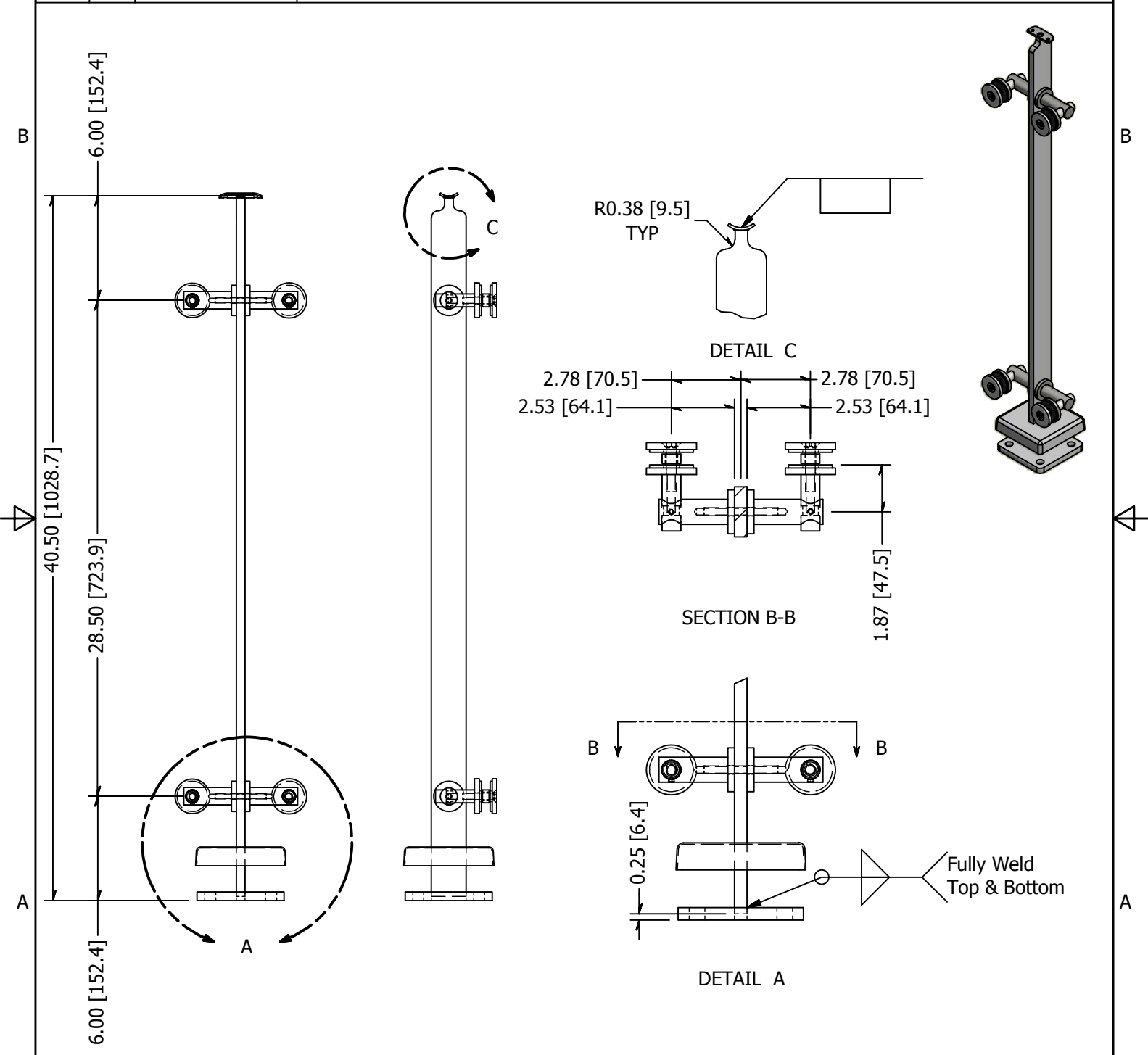




PARTS LIST

| ITEM | QTY | PART NUMBER | DESCRIPTION |
|------|-----|----------------|---|
| 1 | 1 | LG32542MSMA | Intermediate Post, Stainless Steel, 2.00 Inch x 0.50 Inch, 42 High, Brushed Satin Finish, Grade 316, Surface Mount, Post Assm |
| 2 | 4 | LXTB51-1 | Point Fitting, Stainless Steel, 51 mm Head, 1 Point, Tubular Body, Brushed Satin Finish, Grade 316, 0.50 Inch Glass |
| 3 | 2 | FTS3NM08C-0075 | Stud, Stainless Steel, M8-1.25 x 75mm, Fully threaded Stud, A4-70 |



| | | | | | | | | |
|--|-----------|---------------|--|--|--------------|---|------|---|
| <p>TOLERANCE</p> <p>X.X..... = ± .060</p> <p>X.XX..... = ± .030</p> <p>X.XXX..... = ± .010</p> <p>XX°..... = ± 1°</p> <p>UNLESS OTHERWISE NOTED</p> | MATERIAL: | 316 Stainless | | | DESCRIPTION: | Intermediate Post, Stainless Steel, 2.00 Inch x 0.50 Inch, 42 High, Brushed Satin Finish, Grade 316, Surface Mount, 2-Point | | |
| | FINISH: | Satin Brushed | | | DATE: | 4/20/2015 | REV: | 1 |
| | WEIGHT: | 21.66 lbmass | | | DRAWN BY: | T. Kolbach | | |
| | | | | | ITEM NUMBER: | LG32542CMSM.4 | | |
| | | | | | | WAGNER COLLABORATIVE METAL WORKS | | |

