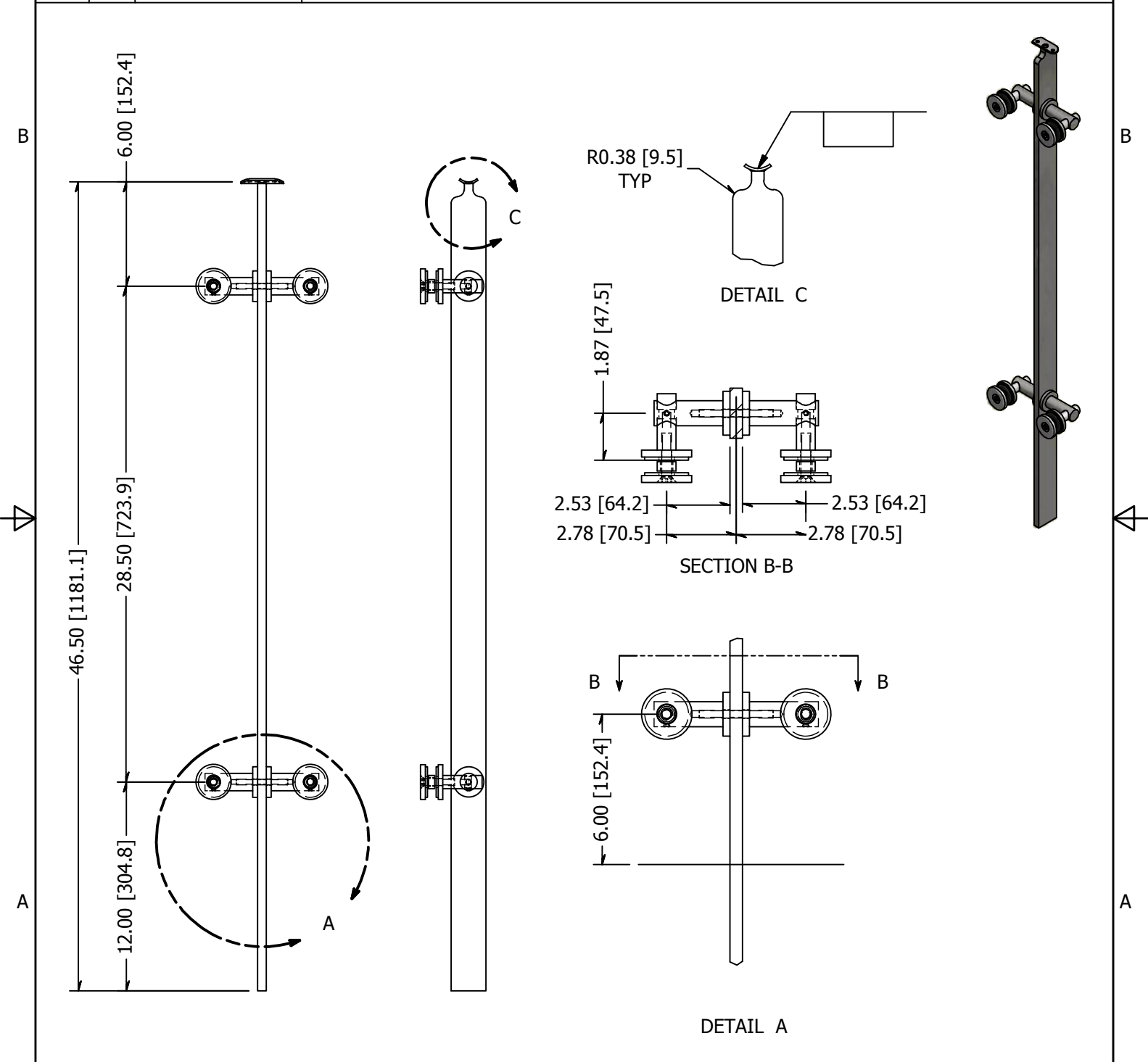




PARTS LIST

ITEM	QTY	PART NUMBER	DESCRIPTION
1	1	LG32542MEMA	Intermediate Post, Stainless Steel, 2.00 Inch x 0.50 Inch, 42 High, Brushed Satin Finish, Grade 316, Embed Mount, Post Assembly
2	4	LXTB51-1	Point Fitting, Stainless Steel, 51 mm Head, 1 Point, Tubular Body, Brushed Satin Finish, Grade 316, 0.50 Inch Glass
3	2	FTS3NM08C-0075	Stud, Stainless Steel, M8-1.25 x 75mm, Fully threaded Stud, A4-70



<p>TOLERANCE</p> <p>X.X..... = ± .060</p> <p>X.XX..... = ± .030</p> <p>X.XXX..... = ± .010</p> <p>XX°..... = ± 1°</p> <p>UNLESS OTHERWISE NOTED</p>	MATERIAL:	316 Stainless			DESCRIPTION:	Intermediate Post, Stainless Steel, 2.00 Inch x 0.50 Inch, 42 High, Brushed Satin Finish, Grade 316, Embed Mount, 2-Point Ftg	
	FINISH:	Satin Brushed		DATE:	4/20/2015	REV:	1
	WEIGHT:	19.42 lbmass		DRAWN BY:	T. Kolbach		
					ITEM NUMBER:	LG32542CMEM.4	
						<p>WAGNER</p> <p>COLLABORATIVE METAL WORKS</p>	

