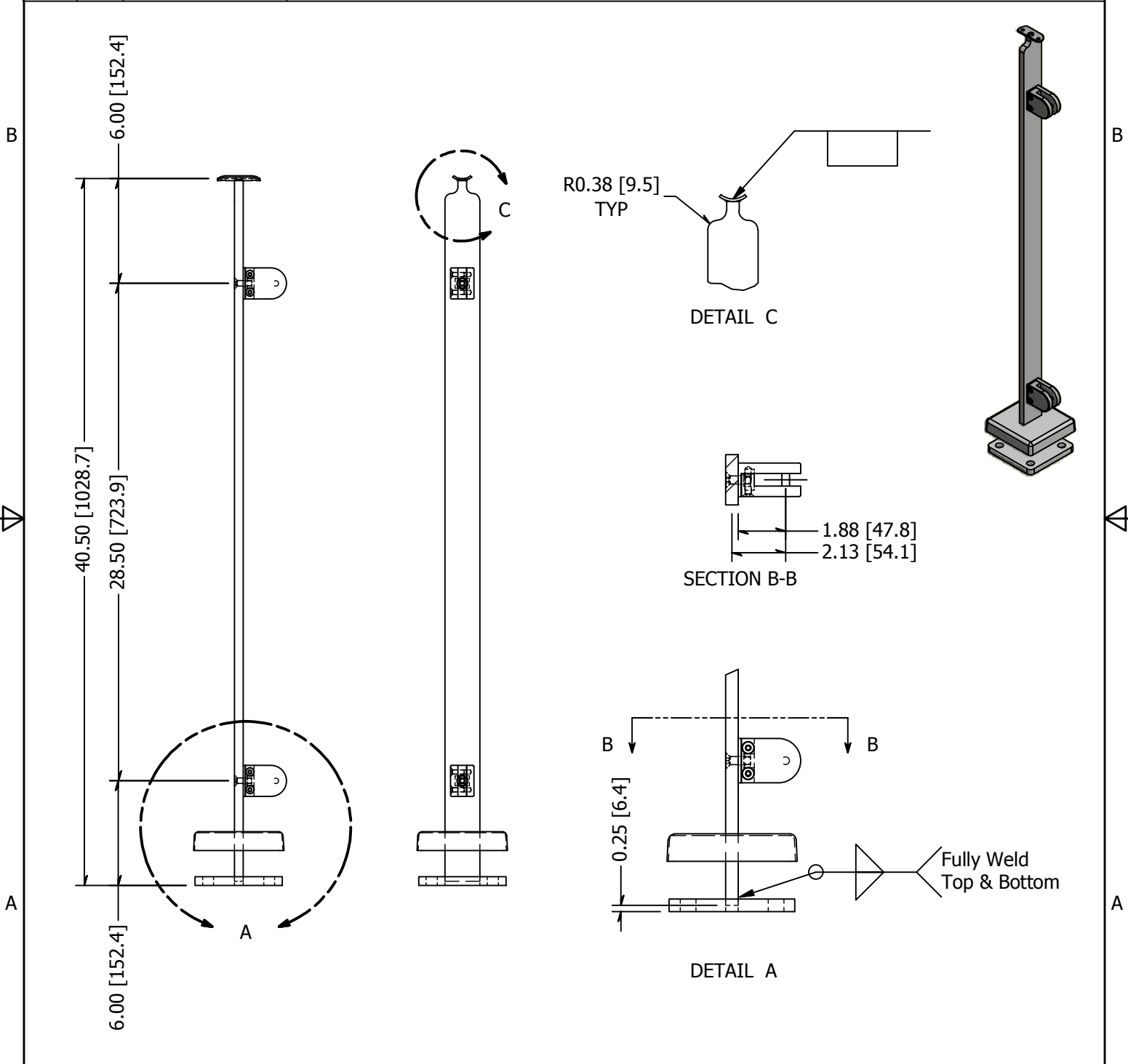




PARTS LIST

ITEM	QTY	PART NUMBER	DESCRIPTION
1	1	LG32542ESMA	End Post, Stainless Steel, 2.00 Inch x 0.50 Inch, 42 High, Brushed Satin Finish, Grade 316, Surface Mount, Post Assembly
2	2	GR310F.4-R	Clip, Stainless Steel, Panel Mounting, Flat Base, Round Type, #4 Satin Finish, Type 316
3	2	FAH3NM08C-0025	Screw, Stainless Steel, M8-1.25 x 25mm, Socket Flat Head Machine Screw, A4-70
4	2	NHF3NM08C-065	Nut, Stainless Steel, M8-1.25, Finished Hex Nut, A4



<p>TOLERANCE</p> <p>X.X..... = ± .060</p> <p>X.XX..... = ± .030</p> <p>X.XXX..... = ± .010</p> <p>XX°..... = ± 1°</p> <p>UNLESS OTHERWISE NOTED</p>	<p>MATERIAL:</p> <p>316 Stainless</p>	<p>DESCRIPTION:</p> <p>End Post, Stainless Steel, 2.00 Inch x 0.50 Inch, 42 High, Brushed Satin Finish, Grade 316, Surface Mount, Round Clips</p>	
	<p>FINISH:</p> <p>Satin Brushed</p>	<p>DATE:</p> <p>4/20/2015</p>	<p>REV:</p> <p>1</p>
	<p>WEIGHT:</p> <p>17.89 lbmass</p>	<p>DRAWN BY:</p> <p>T. Kolbach</p>	<p>WAGNER</p> <p>COLLABORATIVE METAL WORKS</p>
	<p>ITEM NUMBER:</p> <p>LG32542BESM.4</p>		

