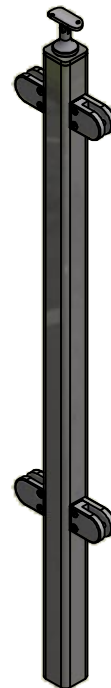
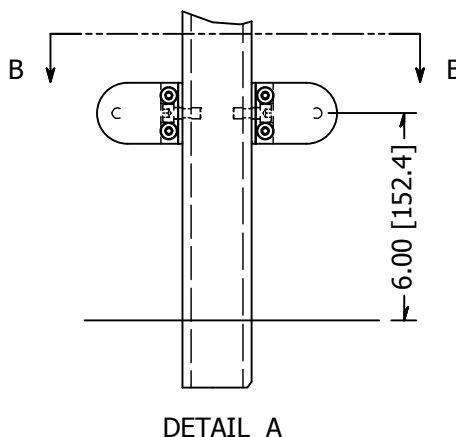
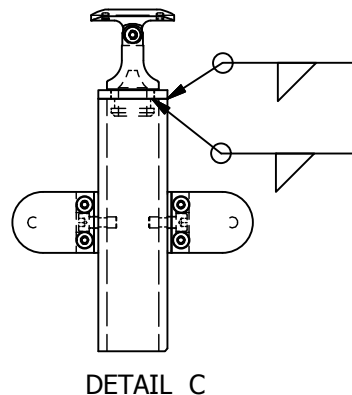
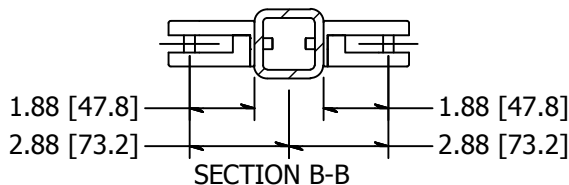
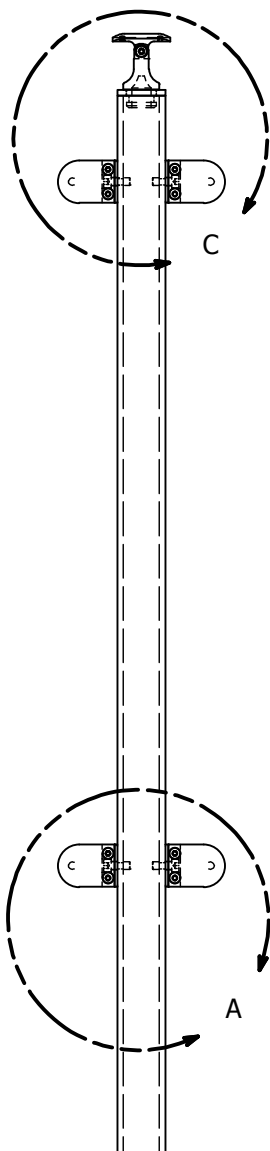
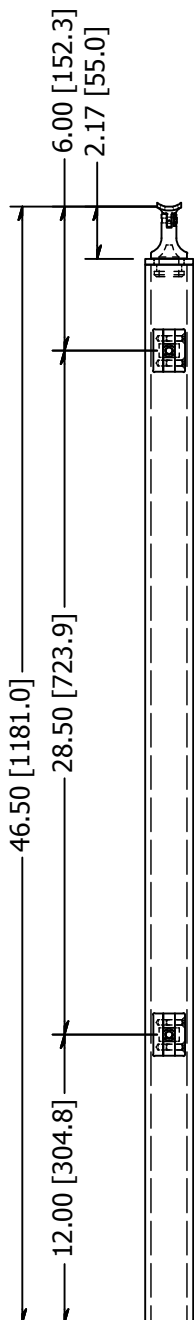




PARTS LIST

| ITEM | QTY | PART NUMBER | DESCRIPTION |
|------|-----|----------------|--|
| 1 | 1 | LG32242MEMA | Intermediate Post, Stainless Steel, 2.00 Inch Square x 0.25 Inch Wall, 42 High, Brushed Satin Finish, Grade 316, Embed Mount, Assm |
| 2 | 4 | GR310F.4-R | Clip, Stainless Steel, Panel Mounting, Flat Base, Round Type, #4 Satin Finish, Type 316 |
| 3 | 4 | SHC3NM08C-0020 | Screw, Stainless Steel, M8-1.25 x 20mm, Socket Head Cap Screw, A4-70 |
| 4 | 1 | SS507 | SADDLE, SWIVEL, CAST W/ HOLES |



| | | | | | | | |
|--|-----------|---------------|--|-----------|--------------|---|---|
| <p>TOLERANCE</p> <p>X.X..... = ± .060</p> <p>X.XX..... = ± .030</p> <p>X.XXX..... = ± .010</p> <p>XX°..... = ± 1°</p> <p>UNLESS OTHERWISE NOTED</p> | MATERIAL: | 316 Stainless | | | DESCRIPTION: | Intermediate Post, Stainless Steel, 2.00 Inch Square x 0.25 Inch Wall, 42 High, Brushed Satin Finish, Grade 316, Embed Mnt, Rnd | |
| | FINISH: | Satin Brushed | | DATE: | 4/20/2015 | REV: | 1 |
| | WEIGHT: | 26.28 lbmass | | DRAWN BY: | T. Kolbach | | |
| | | | | | ITEM NUMBER: | LG32242BMEM.4 | |
| | | | | | | <p>COLLABORATIVE METAL WORKS</p> | |

