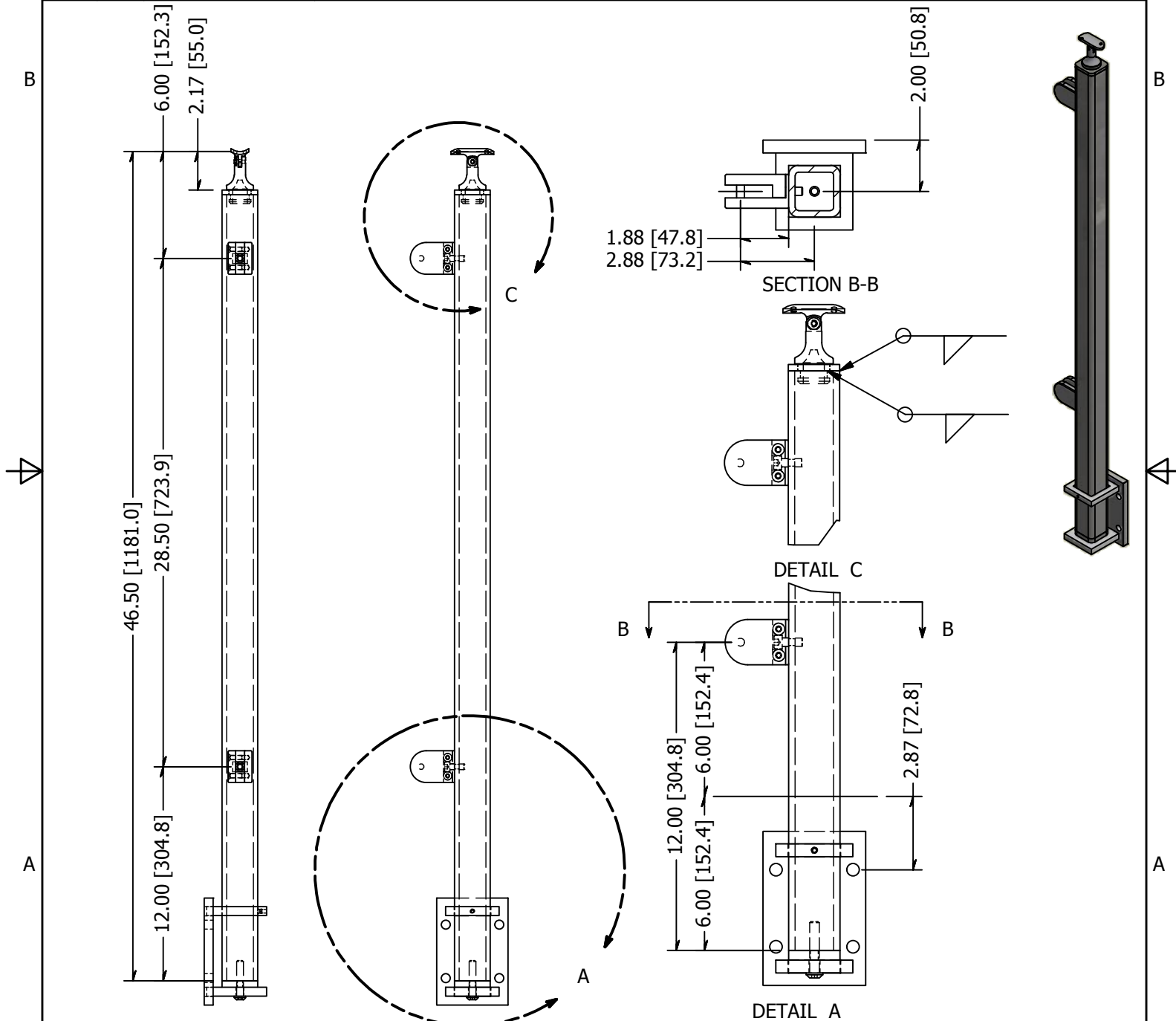




PARTS LIST

| ITEM | QTY | PART NUMBER    | DESCRIPTION   |
|------|-----|----------------|---|
| 1    | 1   | LG32242EFMA    | End Post, Stainless Steel, 2.00 Inch Square x 0.25 Inch Wall, 42 High, Brushed Satin Finish, Grade 316, Fascia Mount, Post Assm |
| 2    | 1   | LG322FM        | Flange, Stainless Steel, Fascia Mount For 2 Inch Square Post, Satin Brushed Finish, Type 316                                    |
| 3    | 1   | BAH3N3816-0200 | SCREW, SS, 3/8-16 X 2.00 Inch, Button, Allen Head   |
| 4    | 2   | GR310F.4-R     | Clip, Stainless Steel, Panel Mounting, Flat Base, Round Type, #4 Satin Finish, Type 316   |
| 5    | 2   | SHC3NM08C-0020 | Screw, Stainless Steel, M8-1.25 x 20mm, Socket Head Cap Screw, A4-70  |
| 6    | 1   | SS507          | SADDLE, SWIVEL, CAST W/ HOLES   |



|   |           |               |  |           |              |   |   |
|---|-----------|---------------|--|-----------|--------------|---|---|
| <b>TOLERANCE</b><br>X.X..... = ± .060<br>X.XX..... = ± .030<br>X.XXX..... = ± .010<br><br>XX°..... = ± 1°<br><br>UNLESS OTHERWISE NOTED | MATERIAL: | 316 Stainless |  |           | DESCRIPTION: | End Post, Stainless Steel, 2.00 Inch Square x 0.25 Inch Wall, 42 High, Brushed Satin Finish, Grade 316, Fascia Mount, Round |   |
|   | FINISH:   | Satin Brushed |  | DATE:     | 4/20/2015    | REV:  | 1 |
|   | WEIGHT:   | 29.85 lbmass  |  | DRAWN BY: | T. Kolbach   |   |   |
|   |           |               |  |           | ITEM NUMBER: | LG32242BEFM.4   |   |
|   |           |               |  |           |              |   |   |

