

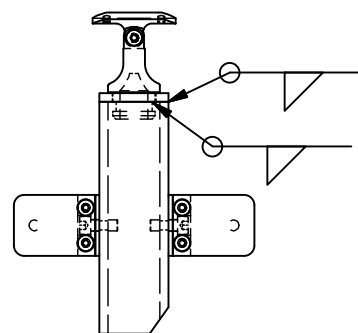
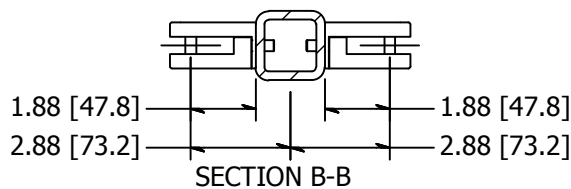
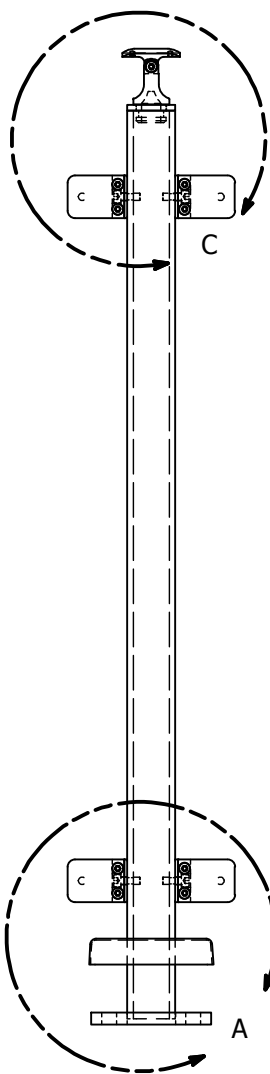
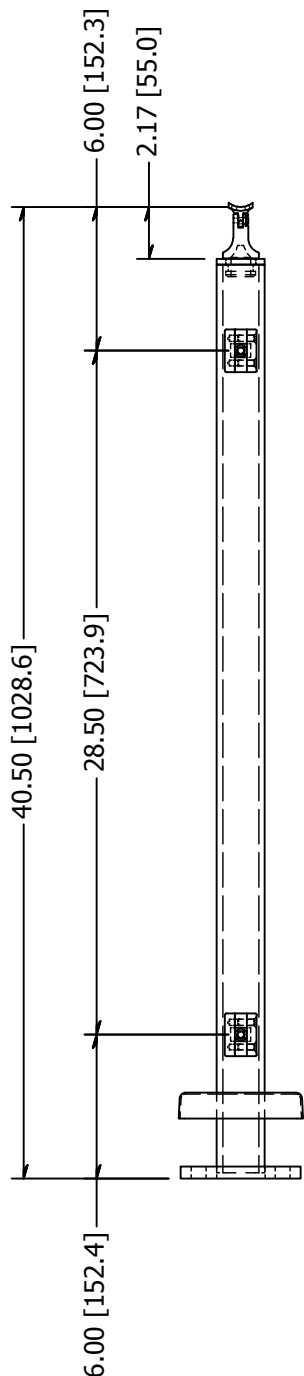


PARTS LIST

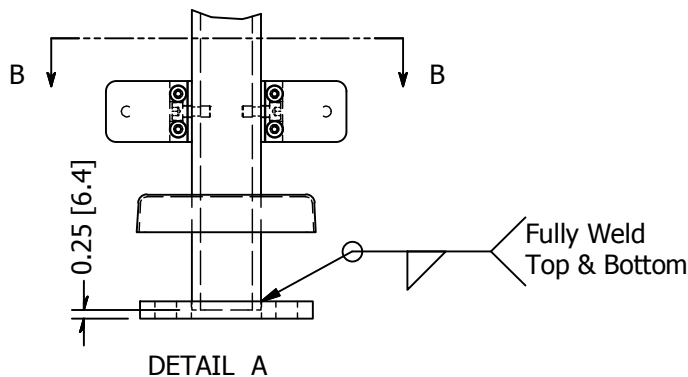
ITEM	QTY	PART NUMBER	DESCRIPTION
1	1	LG32242MSMA	Intermediate Post, Stainless Steel, 2.00 Inch Square x 0.25 Inch Wall, 42 High, Brushed Satin Finish, Grade 316, Surface Mnt, Assm
2	1	LG322SMC	Flange, Stainless Steel, Snap-On Cover For 2 Inch Square Tube, Satin Brushed Finish, Type 316
3	4	GR310F.4	Clip, Stainless Steel, Panel Mounting, Flat Base, Square Type, #4 Satin Finish, Type 316
4	4	SHC3NM08C-0020	Screw, Stainless Steel, M8-1.25 x 20mm, Socket Head Cap Screw, A4-70
5	1	SS507	SADDLE, SWIVEL, CAST W/ HOLES

B

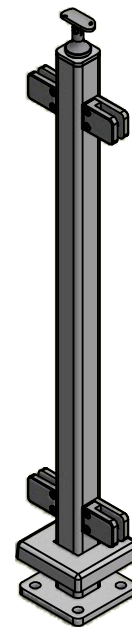
B



DETAIL C



DETAIL A



A

A

<p><b>TOLERANCE</b></p> <p>X.X..... = ± .060</p> <p>X.XX..... = ± .030</p> <p>X.XXX..... = ± .010</p> <p>XX°..... = ± 1°</p> <p>UNLESS OTHERWISE NOTED</p>	MATERIAL:	316 Stainless			DESCRIPTION:	Intermediate Post, Stainless Steel, 2.00 Inch Square x 0.25 Inch Wall, 42 High, Brushed Satin Finish, Grade 316, Surface Mnt, Sq		
	FINISH:	Satin Brushed			DATE:	4/20/2015	REV:	1
	WEIGHT:	27.14 lbmass			DRAWN BY:	T. Kolbach		
					ITEM NUMBER:	LG32242AMSM.4		
						<p>WAGNER</p> <p>COLLABORATIVE METAL WORKS</p>		

